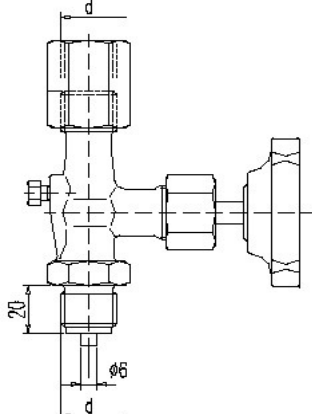
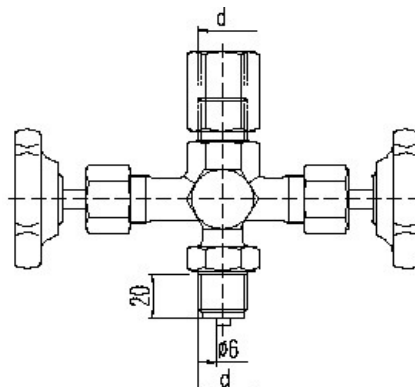


Manometer pressure gauge valve PN 400

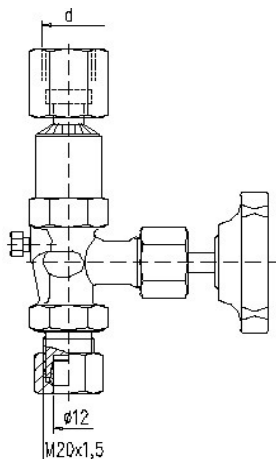
pressure gauge valve design A
DIN 16 270 with adjusting nut



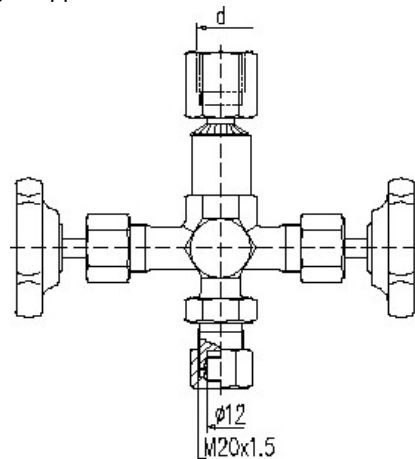
double pressure gauge valve design A
DIN 16 272 with adjusting nut



pressure gauge valve design B DIN 16 270
with swivel nut and shaft or pressure gauge
support



double pressure gauge valve design B
DIN 16 272 with swivel nut and shaft for pressure
gauge support



| PN | Connection thread d | Material | Pressure gauge valve part no. | | Double pressure gauge valve part no. | |
|-----|------------------------|-----------------|-------------------------------|-----------------|--------------------------------------|-----------------|
| | | | Design A | Ddesign B | Design A | Design B |
| 400 | G 1/2 | steel | S 004.16.100 | S 004.16.120.13 | S 004.60.100 | S 004.60.100.13 |
| | | stainless steel | S 004.16.200 | S 004.16.220.13 | S 004.60.200 | S 004.60.200.13 |
| 400 | M20 X 1,5 | steel | S 004.16.150 | - | S 004.60.150 | - |
| | | stainless steel | S 004.16.250 | - | S 004.60.250 | - |

| Components | Brass | Steel | Stainless steel |
|---------------|---|--------|-----------------|
| | DIN - Material Number | | |
| Body | brass | 1.0460 | 1.4571 |
| Valve stem | 1.4104 | | 1.4571 |
| Needle tip | 1.4104 | | 1.4571 |
| Packing | PTFE up to 200°C special packing up to 250°C | | |
| Union nut | steel | | stainless steel |
| Adjusting nut | steel | | stainless steel |
| Swivel nut | brass | steel | stainless steel |