

## Equalizing Condensate Vessels

for steam flow

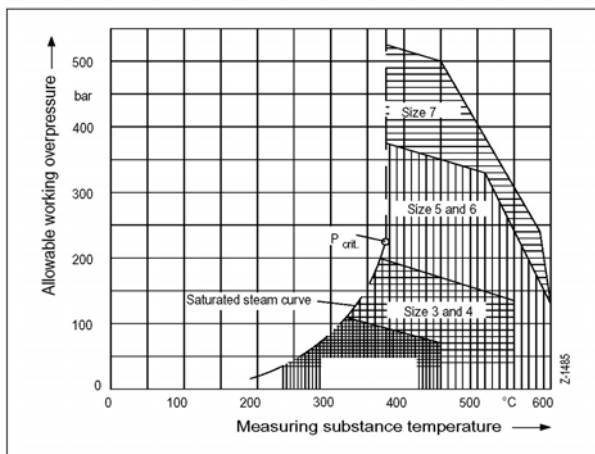
### Application

At steam measurements with orifices two equalizing vessels are required ( according to DIN 19211 ), which keeps the water-level of the differential pressure lines on same level. The operating range of the connection fittings has to be determined to the operating data data of the measuring point. The assembling, welding etc. is the responsibility of the operator.



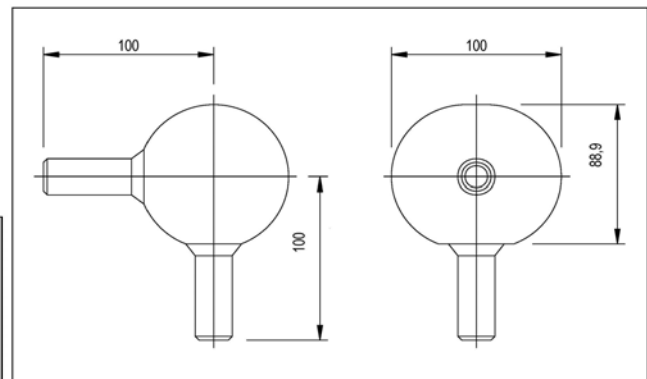
### Technical data

If necessary the vessels are delivered on request with manufacturer certificate according to § 9 ( 2 ) 1 of the pressure vessel ordinance as well as with material certificate according to DIN 50049 3.1A for the used materials and thus prepared for a later removal acceptance test by the TÜV. Singles TÜV certificate of equalizing vessel with material certificate according to DIN 50049 3.1A is possible (costs according with effort).



Applikation for equalizing vessels according DIN 19211

### Dimensional drawing ( mm )



Size	Form	Case	Coupling	Weld connection pipe <sup>1)</sup>
2	C	St 45.8 Mat.No1.0405	St 45.8 Mat.No1.0405	Pipe 24 X 7,1
4	C	13CrMo44 Mat.No. 1.7335	13CrMo44 Mat.No. 1.7335	Pipe 24 X 7,1
6	C	10CrMo910 Mat.No. 7380	10CrMo910 Mat.No. 7380	Pipe 24 X 7,1
7	C	10CrMo910 Mat.No. 7380	10CrMo910 Mat.No. 7380	Pipe 24 X 7,1

<sup>1)</sup> Spherical, code 22 to DIN 2559, measure sheet 2824-000

### Ordering information

#### Equalizing vessel corresponding to DIN 19211

Size	Form	Volume	Material	kg	Material certificate	Option
2	C	~ 300 cm <sup>3</sup>	1.0405	~ 1,8	according to effort	fill pipe
4	C	~ 250 cm <sup>3</sup>	1.7335	~ 2,4	according to effort	fill pipe
6	C	~ 170 cm <sup>3</sup>	1.7380	~ 3,5	according to effort	fill pipe
7	C	~ 110 cm <sup>3</sup>	1.7380	~ 4,2	according to effort	fill pipe