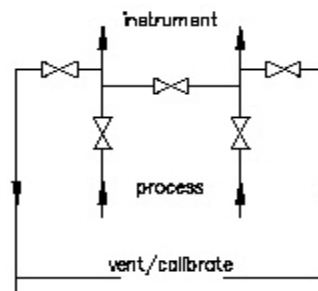
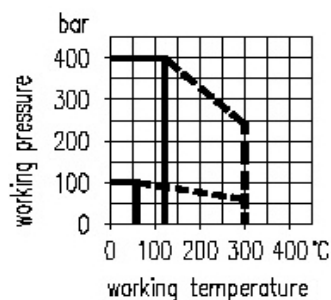
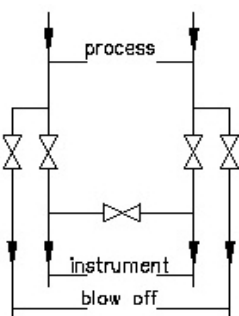
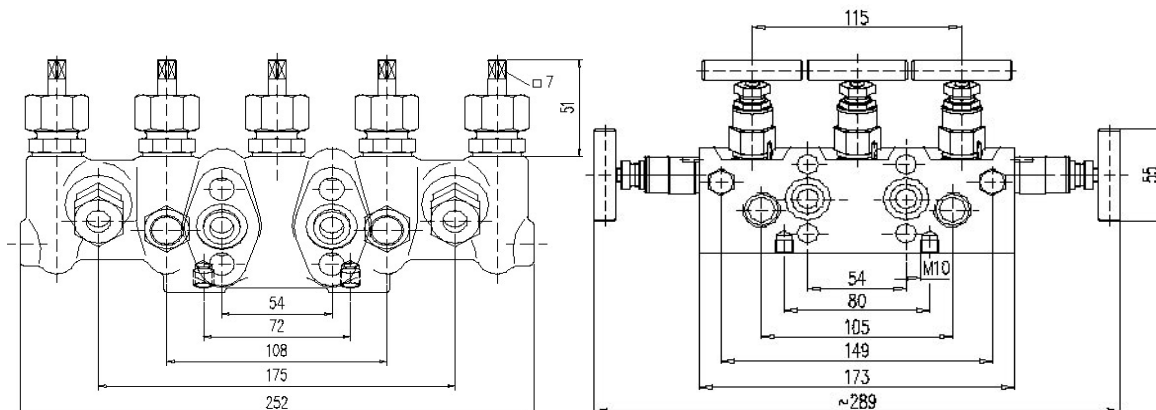


5-valve manifold PN 100 / PN 400 / DN 5 --- PN 420 / DN 5

for direct mounting according to DIN 19 213 or DIN 19 213 / IEC

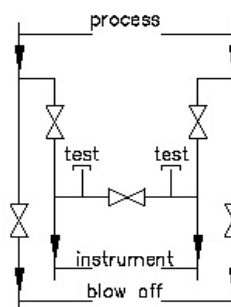


PN	Material	Inlet	Outlet	Part - no.
100	steel stainless steel	tube fitting O.D. \varnothing 12 mm, G3/8	DIN 19 213 Form B1	S 341.36.110 S 341.36.210
400	steel stainless steel	weld ends for tube O.D. 14 x 2,5 mm	DIN 19 213 Form B3	S 541.36.125 S 541.36.225
420	steel stainless steel	$\frac{1}{2}$ NPT female	IEC, Form A	N 542.48.180.01 N 542.48.480.01

Components	Steel	Stainless steel
	DIN - Material Number	
Body	1.0460	1.4571
Bonnet	1.0501	1.4571
Valve seat	1.4571	
Valve stem	1.4104	1.4571
Needle tip	1.4122	1.4571
Packing	PTFE up to 200°C special packing up to 300°C	
Union nut	steel	1.4571

Option

manifold according DIN 19213
Form B1/B3 with test connection
M20 x 1,5



other type of manifolds are deliverable