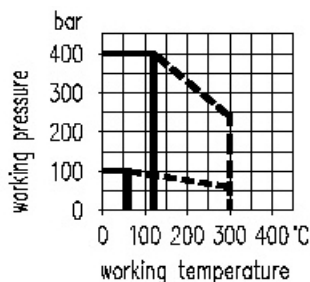
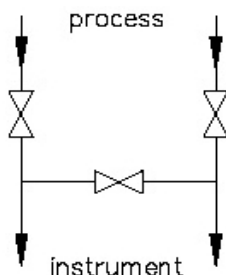
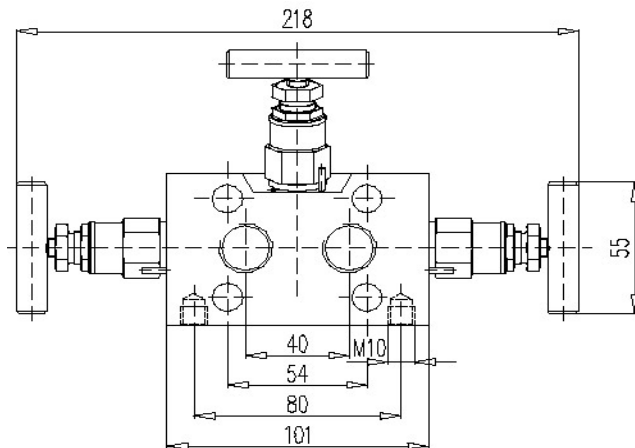
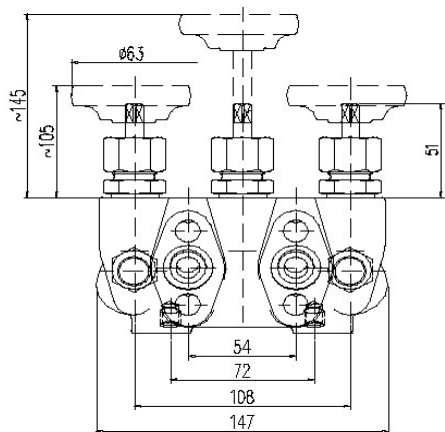


3-valve manifold PN 100 / PN 400 / DN 5 --- PN 420 / DN 5

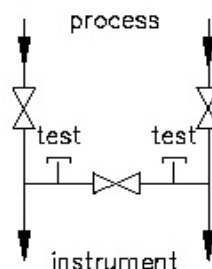
for direct mounting according DIN 19 213 bzw. DIN 19 213 / IEC



PN	Material	Inlet	Outlet	Part - no.
100	steel stainless steel	tube fitting O.D. \varnothing 12 mm, G3/8	DIN 19 213 Form B1	S 341.36.103 S 341.36.203
400	steel stainless steel	weld ends for tube O.D. 14 x 2,5 mm	DIN 19 213 Form B3	S 541.36.133 S 541.36.233
420	steel stainless steel	$\frac{1}{2}$ NPT female	IEC, Form A	N 542.39.181.01 N 542.39.481.01
420	steel stainless steel	turned groove \varnothing 18,5 acc. to DIN 19213 Form A	IEC, Form A	N 542.39.191.01 N 542.39.491.01

Components	Steel	Stainless steel
	DIN - Material Number	
Body	1.0460	1.4571
Bonnet	1.0501	1.4571
Valve seat	1.4571	
Valve stem	1.4104	1.4571
Needle tip	1.4122	1.4571
Packing	PTFE up to 200°C special packing up to 300°C	
Union nut	steel	1.4571
Weld ends	1.5415	1.4571

Option
manifold DIN 19213 Form B1/B3
with test connection M20 x 1,5



other type of manifolds are deliverable